

Temiz Su  
Clean water

Eysel Alan  
Domestic use

Kamusal Alan  
Civil use

Endüstriyel Alan  
Industrial use

Tarımsal Alan  
Agriculture use



7" SP SERİSİ  
7" SP SERIES



## Uygulamalar

Şebeke suları, kuyu suları ve atık sular  
Basıncılı su sistemleri ve dağıtımı  
Sulama ve fıskiye sistemleri, su arıtma sistemleri  
Endüstriyel soğutma ve işleme süreçlerinde  
Madencilik endüstrisinde, drenaj kullanım alanlarında  
Yangın söndürme sistemlerinde  
Rezervuar veya kuyulardan su temininde  
Büyük tonajlı su sistemlerinde  
Sarnıç ve havuz gibi su haznelerinin doldurulmasında veya su tahliyesinde  
Damla sulama arazilerinde ve tarım alanlarında  
Seralar ve uzun mesafeli su temini olan alanlarda  
Yerleşim yerlerinde, kuyu ve kirli su içeren havuzlarda  
Gıda endüstrisinde  
Çok amaçlı su temini yapan sistemlerde

## Application

Municipal water works, fountains and waste water  
Water distribution and pressure boosting  
Irrigation and sprinkler systems, water treatment plants, filtration and reverse osmosis  
Industrial cooling and processing  
Mining industry, drainage and dewatering  
Fire-fighting equipment  
Water supply to and from tanks, reservoir and wells  
Lifting and distribution of a wide range of liquids  
Autoclave and cistern charge and discharge  
Turf and landscape  
Greenhouses and nurseries  
Residential and farm wells and drainage  
Food industry  
General industry

## Özellikler

Bağlantı bileşenleri ile birlikte yatay kullanıma uygundur  
Bağlantı çekvalfları sayesinde suyun akış hızı ayarlanabilir  
Yüzer fanları sayesinde pompa aşınmaya karşı dayanıklıdır ve uzun ömürlüdür.  
Hidrolik dizaynı sayesinde pompa yüksek performans gösterip minimum enerji tüketmekte

## Features

Compact, reliable and suited to operate in horizontal position  
Built-in check valve to protect the pump against water hammer risk  
Floating impellers to grant a better performance and longer life for the pump against abrasion  
The hydraulic design is such to enhance the overall efficiency thus reducing energy consumption and making the pumping systems more cost effective

## Pompa Özellikleri

Akış: 50 Hz'de en fazla 120 m<sup>3</sup>/h  
Yükseklik: 50 Hz'de en fazla 519 m  
Kullanılacak Sıvı: Kimyasal olmayan aşındırıcı özellikte olmayan sular  
Su sıcaklığı aralığı: 0 °C ile 40 °C arası  
İzin verilen maksimum kum miktarı: 50 gr/m<sup>3</sup>'te katı boyutu 2 mm  
Maksimum pompa çapı (kablo muhafazası dahil): 173 mm  
Çıkış çapı: SP 786 - SP 7105 serileri 5"  
Dönüş yönü: Tepeden bakıldığında saat yönünün tersine  
Pompa dikey veya yatay pozisyonda sürekli çalışabilir

## Pump Specification

Flow: up to 120 m<sup>3</sup>/h at 50 Hz  
Head: up to 519 m at 50 Hz  
Pumped liquid: chemically and mechanically non aggressive  
Water temperature range: from 0 °C to 40 °C  
Max. allowable amount of sand 50 gr/m<sup>3</sup>, solid dimension max. 2 mm  
Maximum pump diameter (including cable guard): 173 mm  
Outlet diameter: 5" for SP 786 - SP 7105  
Rotation: counter clockwise when looking into the discharge  
Pump can work continuously in vertical or horizontal position

## Motor Özellikleri

NEMA standardında uygun motor adaptörü  
Daha fazla bilgi için motor ürün kataloğuna bakınız

## Motor Specification

Motor adapter in compliance with NEMA standard  
For more information consult the product catalog of Submersible motors

## Opsiyon

Soğutucu kılıf  
4"- 5"- 6"- 8" Pompa Emiş Ağızı

## Available on request

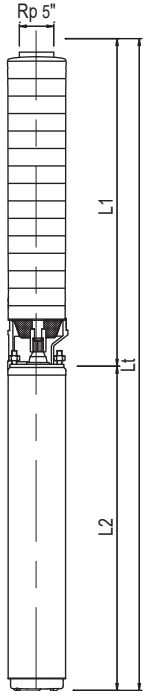
Cooling shroud  
4"- 5"- 6"- 8" Pump suction part

## Pompa Tanımlama Kodu/ Pump Identification Code

SP 786 / 20

SP Pompa Kademe Sayısı / Number of stages  
786 Serisi / Series  
20 Pompa modeli / Pump model

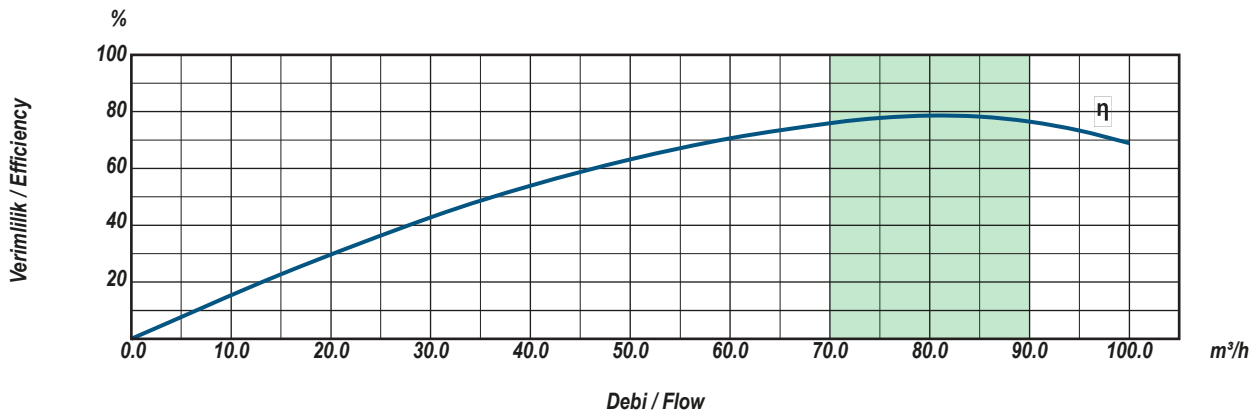
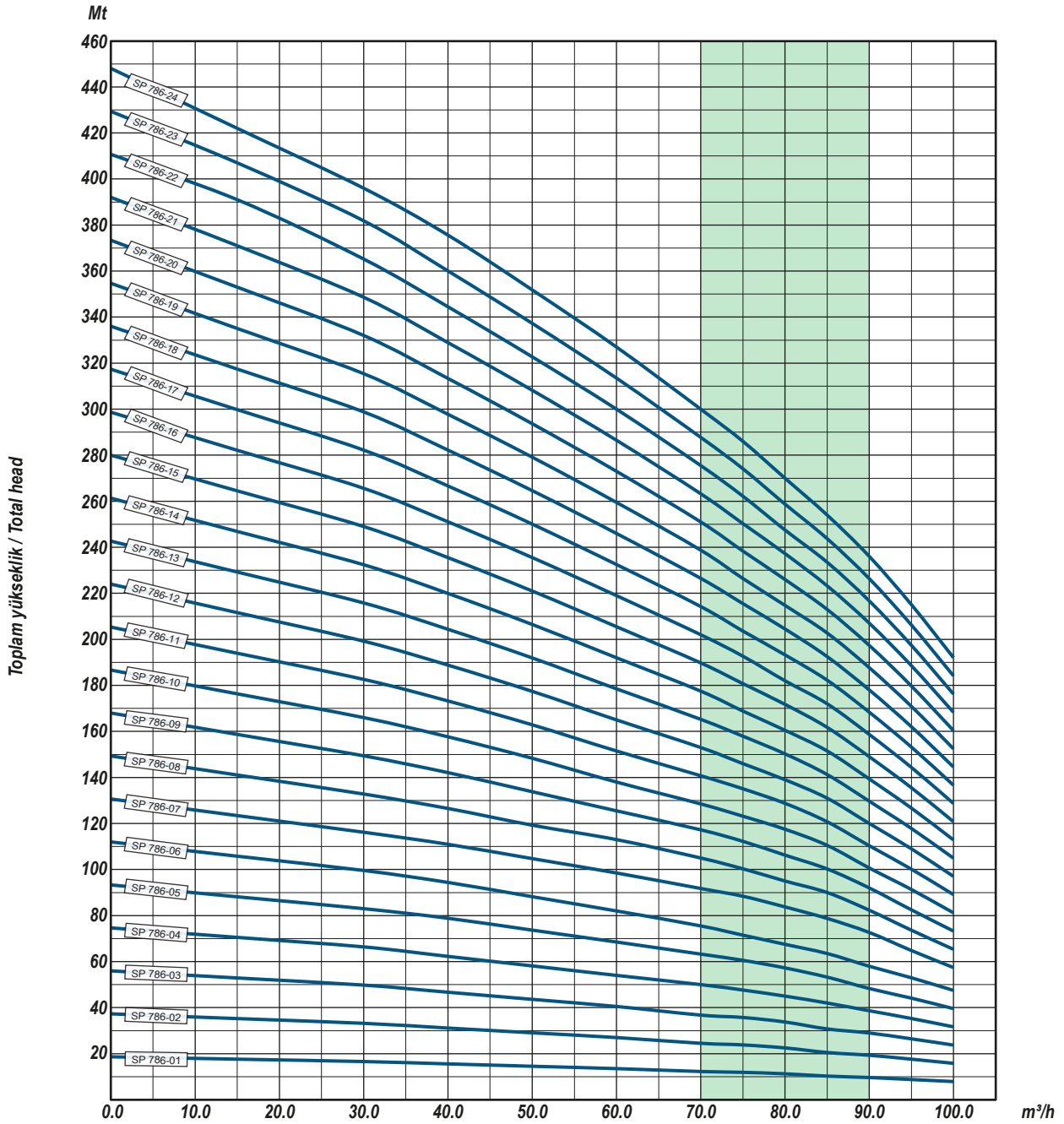
Pompa Modeli (Pump Model)	Motor		Boyutlar / Dimensions (mm)											Ağırlık / Weight (kg)										
	kW	Hp	L1	L2					Lt					Pompa Pump	Motor					Toplam/ Total				
				UP 4"	LP 4"	UP 5"	UP 6"	UP 8"	UP 4"	LP 4"	UP 5"	UP 6"	UP 8"		UP 4"	LP 4"	UP 5"	UP 6"	UP 8"					
SP 786-01	3,0	4,0	550	600	556	-	-	-	1150	1106	-	-	-	19,00	17,90	17,90	-	-	-	36,90	33,80	-	-	-
SP 786-02	5,5	7,5	680	775	635	636	630	-	1455	1315	1316	1310	-	23,00	25,00	25,00	38,00	46,00	-	48,00	42,90	61,00	69,00	-
SP 786-03	9,2	12,5	810	-	-	731	690	-	-	-	1541	1500	-	27,00	-	-	44,00	50,00	-	-	-	71,00	77,00	-
SP 786-04	11,0	15,0	940	-	-	776	730	-	-	-	1716	1670	-	31,00	-	-	48,00	56,00	-	-	-	79,00	87,00	-
SP 786-05	15,0	20,0	1070	-	-	876	830	-	-	-	1946	1900	-	35,00	-	-	58,00	66,00	-	-	-	93,00	101,00	-
SP 786-06	18,5	25,0	1190	-	-	876	880	-	-	-	2066	2070	-	38,00	-	-	58,00	72,00	-	-	-	96,00	110,00	-
SP 786-07	22,0	30,0	1320	-	-	876	980	930	-	-	2196	2300	2250	42,00	-	-	58,00	82,00	121,00	-	-	100,00	124,00	163,00
SP 786-08	27,0	35,0	1450	-	-	-	1030	-	-	-	-	-	2480	-	-	-	88,00	-	-	-	-	-	134,00	-
SP 786-09	30,0	40,0	1580	-	-	-	1110	1020	-	-	-	2690	2600	50,00	-	-	-	98,00	137,00	-	-	-	148,00	187,00
SP 786-10	37,0	50,0	1710	-	-	-	1190	1050	-	-	-	2900	2760	54,00	-	-	-	106,00	143,00	-	-	-	160,00	197,00
SP 786-11	37,0	50,0	1830	-	-	-	1190	1050	-	-	-	3020	2880	57,00	-	-	-	106,00	143,00	-	-	-	163,00	200,00
SP 786-12	45,0	60,0	1960	-	-	-	1270	1130	-	-	-	3230	3090	61,00	-	-	-	116,00	158,00	-	-	-	177,00	219,00
SP 786-13	45,0	60,0	2090	-	-	-	1270	1130	-	-	-	3360	3220	65,00	-	-	-	116,00	158,00	-	-	-	181,00	223,00
SP 786-14	45,0	60,0	2220	-	-	-	1270	1130	-	-	-	3490	3350	69,00	-	-	-	116,00	158,00	-	-	-	185,00	227,00
SP 786-15	52,0	70,0	2350	-	-	-	-	1180	-	-	-	-	3530	73,00	-	-	-	-	174,00	-	-	-	-	247,00
SP 786-16	52,0	70,0	2470	-	-	-	-	1180	-	-	-	-	3650	76,00	-	-	-	-	174,00	-	-	-	-	250,00
SP 786-17	60,0	80,0	2600	-	-	-	-	1240	-	-	-	-	3840	80,00	-	-	-	-	187,00	-	-	-	-	267,00
SP 786-18	60,0	80,0	2730	-	-	-	-	1240	-	-	-	-	3970	84,00	-	-	-	-	187,00	-	-	-	-	271,00
SP 786-19	67,0	90,0	2860	-	-	-	-	1315	-	-	-	-	4175	88,00	-	-	-	-	201,00	-	-	-	-	289,00
SP 786-20	67,0	90,0	2990	-	-	-	-	1315	-	-	-	-	4305	92,00	-	-	-	-	201,00	-	-	-	-	293,00
SP 786-21	75,0	100,0	3110	-	-	-	-	1430	-	-	-	-	4540	95,00	-	-	-	-	218,00	-	-	-	-	313,00
SP 786-22	75,0	100,0	3240	-	-	-	-	1430	-	-	-	-	4670	99,00	-	-	-	-	218,00	-	-	-	-	317,00
SP 786-23	81,0	110,0	3370	-	-	-	-	1450	-	-	-	-	4820	103,00	-	-	-	-	227,00	-	-	-	-	330,00
SP 786-24	81,0	110,0	3500	-	-	-	-	1450	-	-	-	-	4950	107,00	-	-	-	-	227,00	-	-	-	-	334,00



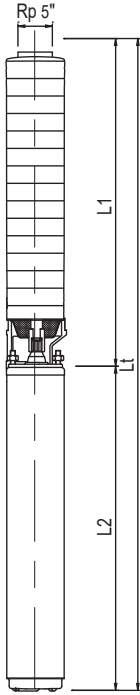
## Hidrolik Performans Tablosu 50 Hz/ Table of Hydraulic Performance at 50 Hz

Pompa Modeli (Pump Model)	Çıkış Gücü (Output Power)		Q= Debi / Flow											
			(m <sup>3</sup> /h)	0,00	60,00	70,00	80,00	85,00	90,00	100,0				
	kW	Hp	(l/sec)	0,00	16,67	19,44	22,22	23,61	25,00	27,78				
SP 786-01	3,0	4,0	MSS / MPH	19	14	12	11	10	10	8				
SP 786-02	5,5	7,5		37	27	25	23	21	19	16				
SP 786-03	9,2	12,5		56	41	37	34	31	29	24				
SP 786-04	11,0	15,0		75	54	49	45	41	39	32				
SP 786-05	15,0	20,0		93	68	61	56	51	48	40				
SP 786-06	18,5	25,0		112	81	74	68	62	58	47				
SP 786-07	22,0	30,0		131	95	86	79	72	68	55				
SP 786-08	27,0	35,0		149	108	98	90	82	77	63				
SP 786-09	30,0	40,0		168	122	110	101	92	87	71				
SP 786-10	37,0	50,0		187	135	123	113	103	97	79				
SP 786-11	37,0	50,0		205	149	135	124	113	106	87				
SP 786-12	45,0	60,0		224	162	147	135	123	116	95				
SP 786-13	45,0	60,0		243	176	159	146	133	126	103				
SP 786-14	45,0	60,0		261	189	172	158	144	135	111				
SP 786-15	52,0	70,0		280	203	184	169	154	145	119				
SP 786-16	52,0	70,0		299	216	196	180	164	155	127				
SP 786-17	60,0	80,0		317	230	208	191	174	165	135				
SP 786-18	60,0	80,0		336	243	221	203	185	174	143				
SP 786-19	67,0	90,0		355	257	233	214	195	184	150				
SP 786-20	67,0	90,0		373	270	245	225	205	193	158				
SP 786-21	75,0	100,0		392	284	257	236	215	203	166				
SP 786-22	75,0	100,0		411	297	270	248	226	213	174				
SP 786-23	81,0	110,0		429	311	282	259	236	222	182				
SP 786-24	81,0	110,0		448	324	294	270	246	232	190				

MEI ≥ 0,40



## Teknik Bilgiler (4"- 5"- 6"- 8"- 10" ULUSU Motor)) / Technical Data (4"- 5"- 6"- 8"- 10" ULUSU Motor)



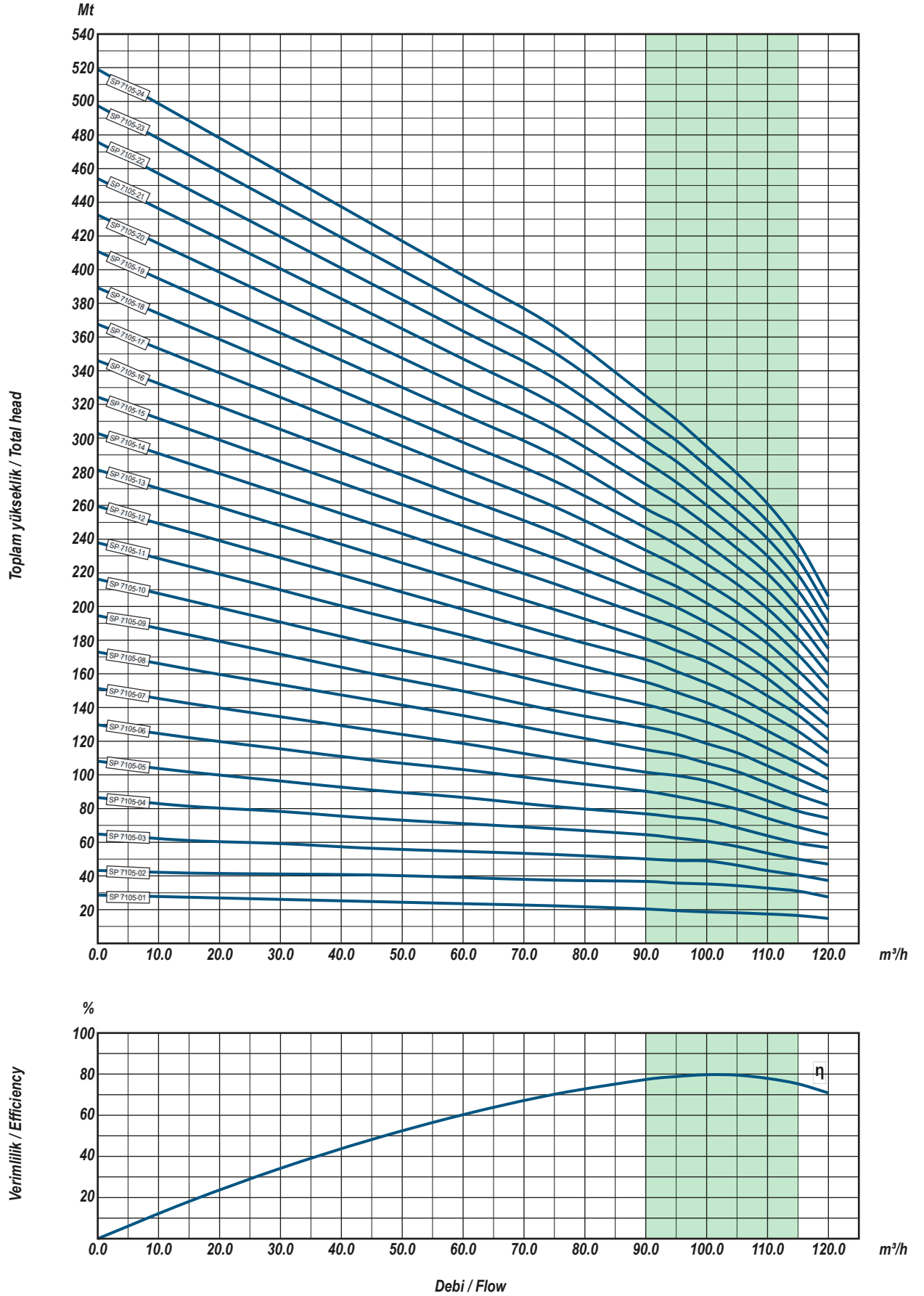
Pompa Modeli (Pump Model)	Motor		Boyutlar / Dimensions (mm)											Ağırlık / Weight (kg)											
	kW	Hp	L1	L2					Lt						Pompa Pump	Motor					Toplam/ Total				
				UP 4"	UP 5"	UP 6"	UP 8"	UP 10"	UP 4"	UP 5"	UP 6"	UP 8"	UP 10"	UP 4"		UP 5"	UP 6"	UP 8"	UP 10"	UP 4"	UP 5"	UP 6"	UP 8"	UP 10"	
SP 7105-01	4,0	5,5	550	635	636	630	-	-	1185	1186	1180	-	-	19,00	19,90	38,00	46,00	-	-	38,90	57,00	65,00	-	-	
SP 7105-02	7,5	10,0	680	862	681	650	-	-	1542	1361	1330	-	-	23,00	29,40	42,00	48,00	-	-	52,40	65,00	71,00	-	-	
SP 7105-03	11,0	15,0	810	-	776	730	-	-	-	1586	1540	-	-	27,00	-	48,00	56,00	-	-	-	75,00	83,00	-	-	
SP 7105-04	15,0	20,0	940	-	876	830	-	-	-	1816	1770	-	-	31,00	-	58,00	66,00	-	-	-	89,00	97,00	-	-	
SP 7105-05	22,0	30,0	1070	-	876	980	930	-	-	1946	2050	2000	-	35,00	-	58,00	82,00	121,00	121,00	-	93,00	117,00	156,00	-	
SP 7105-06	27,0	35,0	1190	-	-	1030	-	-	-	-	2220	-	-	38,00	-	-	88,00	-	-	-	-	126,00	-	-	
SP 7105-07	30,0	40,0	1320	-	-	1110	1020	-	-	-	2430	2340	-	42,00	-	-	98,00	137,00	137,00	-	-	140,00	179,00	-	
SP 7105-08	37,0	50,0	1450	-	-	1190	1050	-	-	-	2640	2500	-	46,00	-	-	106,00	143,00	143,00	-	-	152,00	189,00	-	
SP 7105-09	45,0	60,0	1580	-	-	1270	1130	-	-	-	2850	2710	-	50,00	-	-	116,00	158,00	158,00	-	-	166,00	208,00	-	
SP 7105-10	45,0	60,0	1710	-	-	1270	1130	-	-	-	2980	2840	-	54,00	-	-	116,00	158,00	158,00	-	-	170,00	212,00	-	
SP 7105-11	52,0	70,0	1830	-	-	-	1180	-	-	-	-	3010	-	57,00	-	-	-	174,00	174,00	-	-	-	231,00	-	
SP 7105-12	52,0	70,0	1960	-	-	-	1180	-	-	-	-	3140	-	61,00	-	-	-	174,00	174,00	-	-	-	235,00	-	
SP 7105-13	60,0	80,0	2090	-	-	-	1240	-	-	-	-	3330	-	65,00	-	-	-	187,00	187,00	-	-	-	252,00	-	
SP 7105-14	60,0	80,0	2220	-	-	-	1240	-	-	-	-	3460	-	69,00	-	-	-	187,00	187,00	-	-	-	256,00	-	
SP 7105-15	67,0	90,0	2350	-	-	-	1315	-	-	-	-	3665	-	73,00	-	-	-	201,00	201,00	-	-	-	274,00	-	
SP 7105-16	75,0	100,0	2470	-	-	-	1430	1400	-	-	-	3900	3870	76,00	-	-	-	218,00	218,00	-	-	-	294,00	371,00	
SP 7105-17	75,0	100,0	2600	-	-	-	1430	1400	-	-	-	4030	4000	80,00	-	-	-	218,00	218,00	-	-	-	298,00	375,00	
SP 7105-18	81,0	110,0	2730	-	-	-	1450	1455	-	-	-	4180	4185	84,00	-	-	-	227,00	227,00	-	-	-	311,00	404,00	
SP 7105-19	92,0	125,0	2860	-	-	-	1550	1530	-	-	-	4410	4390	88,00	-	-	-	249,00	249,00	-	-	-	337,00	435,00	
SP 7105-20	92,0	125,0	2990	-	-	-	1550	1530	-	-	-	4540	4520	92,00	-	-	-	249,00	249,00	-	-	-	341,00	439,00	
SP 7105-21	92,0	125,0	3110	-	-	-	1550	1530	-	-	-	4660	4640	95,00	-	-	-	249,00	249,00	-	-	-	344,00	442,00	
SP 7105-22	110,0	150,0	3240	-	-	-	1730	1615	-	-	-	4970	4855	99,00	-	-	-	289,00	289,00	-	-	-	388,00	478,00	
SP 7105-23	110,0	150,0	3370	-	-	-	1730	1615	-	-	-	5100	4985	103,00	-	-	-	289,00	289,00	-	-	-	392,00	482,00	
SP 7105-24	110,0	150,0	3500	-	-	-	1730	1615	-	-	-	5230	5115	107,00	-	-	-	289,00	289,00	-	-	-	396,00	486,00	

Hidrolik Performans Tablosu 50 Hz/ Table of Hydraulic Performance at 50 Hz

Pompa Modeli (Pump Model)	Çıkış Gücü (Output Power)		Q= Debi / Flow											
			(m³/h)	0,00	75,00	90,00	100,0	110,0	115,0	120,0				
	kW	Hp	(l/sec)	0,00	20,83	25,00	27,78	30,56	31,94	33,33				
SP 7105-01	4,0	5,5	MSS / MPH	22	15	13	12	10	10	8				
SP 7105-02	7,5	10,0		43	34	27	23	21	19	16				
SP 7105-03	11,0	15,0		65	46	40	35	31	29	23				
SP 7105-04	15,0	20,0		87	61	54	47	42	38	31				
SP 7105-05	22,0	30,0		108	76	67	58	52	48	39				
SP 7105-06	27,0	35,0		130	92	80	70	62	57	47				
SP 7105-07	30,0	40,0		151	107	94	81	73	67	54				
SP 7105-08	37,0	50,0		173	122	107	93	83	76	62				
SP 7105-09	45,0	60,0		195	137	120	105	93	86	70				
SP 7105-10	45,0	60,0		216	153	134	116	104	95	78				
SP 7105-11	52,0	70,0		238	168	147	128	114	105	85				
SP 7105-12	52,0	70,0		260	183	161	140	125	114	93				
SP 7105-13	60,0	80,0		281	198	174	151	135	124	101				
SP 7105-14	60,0	80,0		303	214	187	163	145	133	109				
SP 7105-15	67,0	90,0		324	229	201	174	156	143	116				
SP 7105-16	75,0	100,0		346	244	214	186	166	152	124				
SP 7105-17	75,0	100,0		368	259	227	198	176	162	132				
SP 7105-18	81,0	110,0		389	275	241	209	187	171	140				
SP 7105-19	92,0	125,0		411	290	254	221	197	181	147				
SP 7105-20	92,0	125,0		433	305	268	233	208	190	155				
SP 7105-21	92,0	125,0		454	320	281	244	218	200	163				
SP 7105-22	110,0	150,0		476	336	294	256	228	209	171				
SP 7105-23	110,0	150,0		497	351	308	267	239	219	178				
SP 7105-24	110,0	150,0		519	366	321	279	249	228	186				

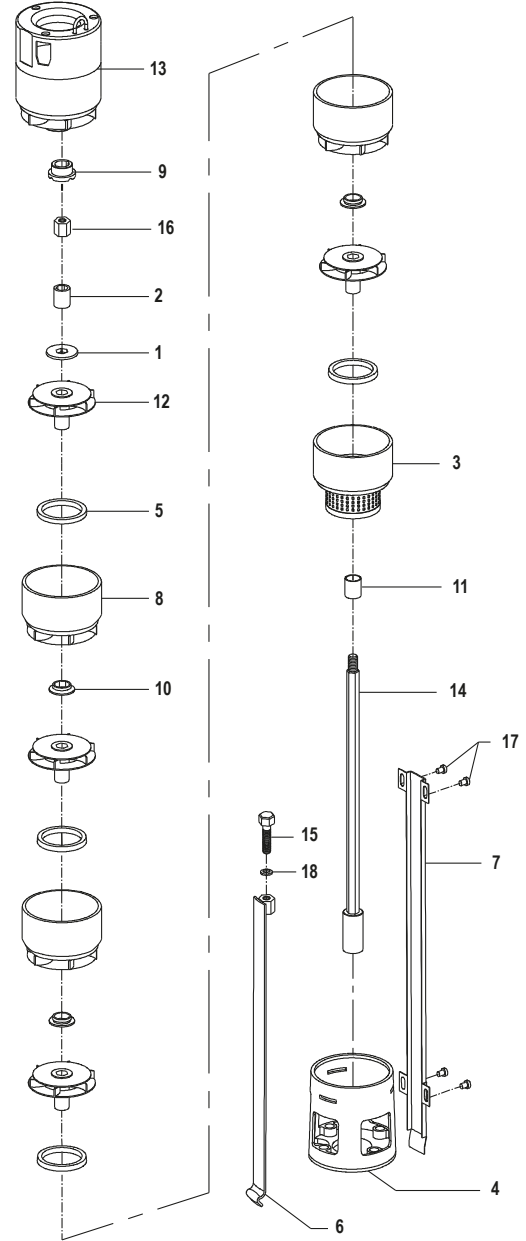


## Performans Eğrileri 50 Hz/ Performance Curves at 50 Hz

MEI  $\geq 0,40$ 

Referans Numarası	Açıklama	Malzeme Yapısı
1	Kabartma Rondelası	Paslanmaz Çelik (AISI 304)
2	Kol	Paslanmaz Çelik (AISI 304)
3	Hazne - Giriş Ağzı	Paslanmaz Çelik (AISI 304)
4	Emiş Ara Bağlantısı	Paslanmaz Çelik (AISI 304)
5	Aşınma Bileziği	Lastik
6	Askı Kilitleme	Paslanmaz Çelik (AISI 304)
7	Kablo Koruyucu	Paslanmaz Çelik (AISI 304)
8	Difüzör	Paslanmaz Çelik (AISI 304)
9	Burç	Paslanmaz Çelik (AISI 304)
10	Burç - Difüzör Halkası	Lastik
11	Ara Kelepçe	Paslanmaz Çelik (AISI 304)
12	Fan	Paslanmaz Çelik (AISI 304)
13	Çekvalf Kontrol Yuvası	Paslanmaz Çelik (AISI 304)
14	Pompa Mili	Paslanmaz Çelik (AISI 304)
15	Cıvata	Paslanmaz Çelik (AISI 304)
16	Kilitleme Somunu	Paslanmaz Çelik (AISI 304)
17	Vida	Paslanmaz Çelik (AISI 304)
18	Rondela	Paslanmaz Çelik (AISI 304)

Reference Number	Description	Material
1	Upthrust Washer	Stainless Steel (AISI 304)
2	Sleeve	Stainless Steel (AISI 304)
3	Chamber - Inlet Screen	Stainless Steel (AISI 304)
4	Suction Inter - Connector	Stainless Steel (AISI 304)
5	Wearing Ring	Rubber
6	Locking Straps	Stainless Steel (AISI 304)
7	Cable Guard	Stainless Steel (AISI 304)
8	Diffuser Chamber	Stainless Steel (AISI 304)
9	Bush - Ct Pad	Stainless Steel (AISI 304)
10	Bush - Diffuser Chamber	Rubber
11	Spacer Sleeve	Stainless Steel (AISI 304)
12	Impeller	Stainless Steel (AISI 304)
13	Check Valve Housing	Stainless Steel (AISI 304)
14	Pump Shaft	Stainless Steel (AISI 304)
15	Bolt	Stainless Steel (AISI 304)
16	Lock Nut	Stainless Steel (AISI 304)
17	Screw	Stainless Steel (AISI 304)
18	Washer	Stainless Steel (AISI 304)





🌐 [www.ulusupompa.com.tr](http://www.ulusupompa.com.tr)

🏠 MTOSB Atatürk Bulv. No:4 Huzurkent Mersin  
✉ [info@ulusupompa.com.tr](mailto:info@ulusupompa.com.tr)

☎ **0090 444 2 731**