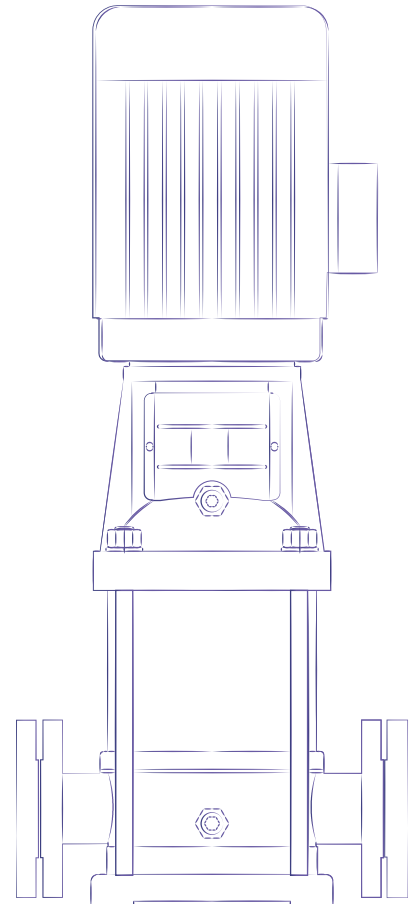


**UPH SERİSİ PASLANMAZ HİDROFORLAR
UPH SERIES STAINLESS BOOSTERS**

**TEKNİK KATALOG
TECHNICAL CATALOG**



Temiz Su
Clean water

Evsel Alan
Domestic use

Kamusal Alan
Civil use

Endüstriyel Alan
Industrial use

Tarımsal Alan
Agriculture use



UPH SERİSİ
UPH SERIES

UP

Basılabilen Sıvılar

Yüksek basınçlı, sessiz çalışan, kompakt ve düşük güç sarfiyatlıdır. Sıvıyla temas eden tüm yüzeyleri paslanmaz çelik olan In-line (düz boruya takılabilir) tip pompalardır. UPH serisi pompalar aşındırıcı olmayan, içinde katı parçacıklar ve elyaf bulunmayan, temiz veya çok hafif kirli, düşük viskoziteli sıvıları basmaya uygundur. Yataklama, tungsten karbür kaymalı yataklar ile sağlanmaktadır. Dikey yapısı sayesinde yerden tasarruf sağlar.

General Information

High pressure, quiet running, compact and low power consumption. All surfaces that contact with the liquid are stainless steel, In-line (straight pipe attachable) type pumps. UPH pumps are suitable for pumping non-abrasive, clean or slightly contaminated, low-viscosity liquids without solid and fibrous particles. Bearing is provided by tungsten carbide sliding bearings. Vertical structure saves space.

Teknik Bilgiler

Hidroforlar isteğe bağlı olarak vana, çek-valf, şaseler paslanmaz olacak şekilde imal edilebilir. Hidroforlar isteğe bağlı olarak konfor amaçlı frekans kontrollü değişken devirli olarak imal edilebilir.

Debi: 40 m³/ saat'e kadar.

Basma Yüksekliği: 185 metre'ye kadar.

Çalışma Sıcaklığı: -10 °C den 120 °C 'ye kadar

Technical Data

Booster pumps can be manufactured with valve, check-valve, stainless steel base plate, depending on request. The booster pumps can be manufactured as a variable-speed frequency control for convenience.

Capacity: up to 40 m³/h

Head: up to 185 m

Operating Temperature: -10 °C to 120 °C

Tasarım Özellikleri

UPH hidroforlar dikey pompalı olarak imal edilirler.

Hidroforlar istenilen debiye göre standart olarak tek, çift ve üç pompalı olarak üretilirler.

Tek pompalı hidroforlarda su seviye şamandırası (elektrikli flatör) mevcuttur.

Tek pompalı trifaze motorlu hidroforlarda faz kontrol sistemi (FKS) mevcuttur.

Birden fazla pompalı hidroforlarda sıra değiştirme, faz kontrolü ve sıvı seviye kontrolü standart özelliklerdir.

Hidroforlar otomatik ve manuel olarak iki farklı modda çalışabilirler.

Hidrofor panosunda kullanılan elektrik malzemeleri güvenilir ve kaliteli markalardan seçilmiştir.

Design Features

UPH booster pumps are manufactured as vertical pump.

The booster pumps are produced as single, double and triple pumps as a standard according to the desired flow rate.

For Single-pump booster pumps have a water level float (electric floater).

Phase control system (PCS) is available in single pump, three-phase motorized booster pumps.

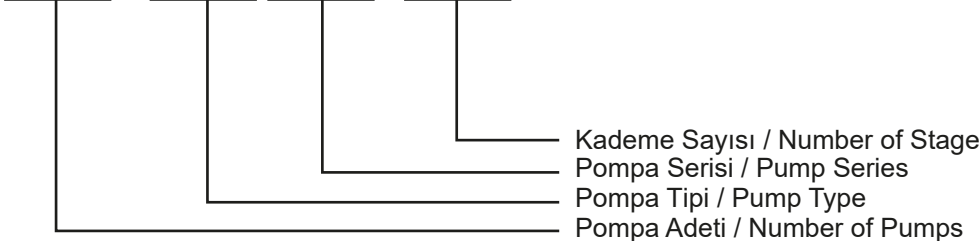
Sequencing, phase control and liquid level control are standard features for multiple pumped booster pumps.

Booster pumps can operate in two different modes; automatically and manually.

Electrical materials used in the booster pump panels are selected from reliable and quality brands.

Pompa Tanımlama Kodu/ Pump Identification Code

1 x UPH 13 - 10



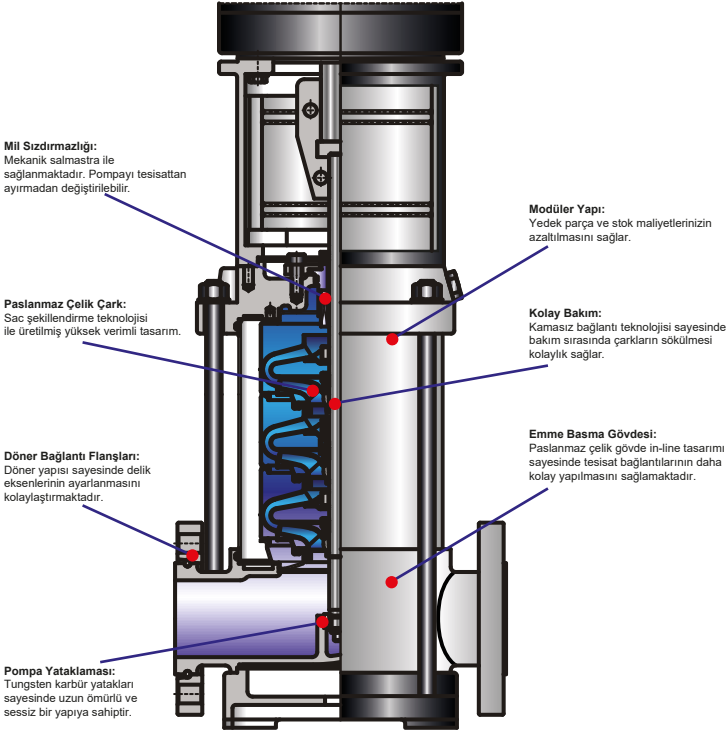
Motor Özellikleri

İki kutuplu bağlantılı motor
Motor devir : 2900 d./dk.
Koruma sınıfı: IP 55
İzolasyon sınıfı: Nominal Güç
Soğutma: Dıştan soğutma pervaneli
Çalışma şekli: S1

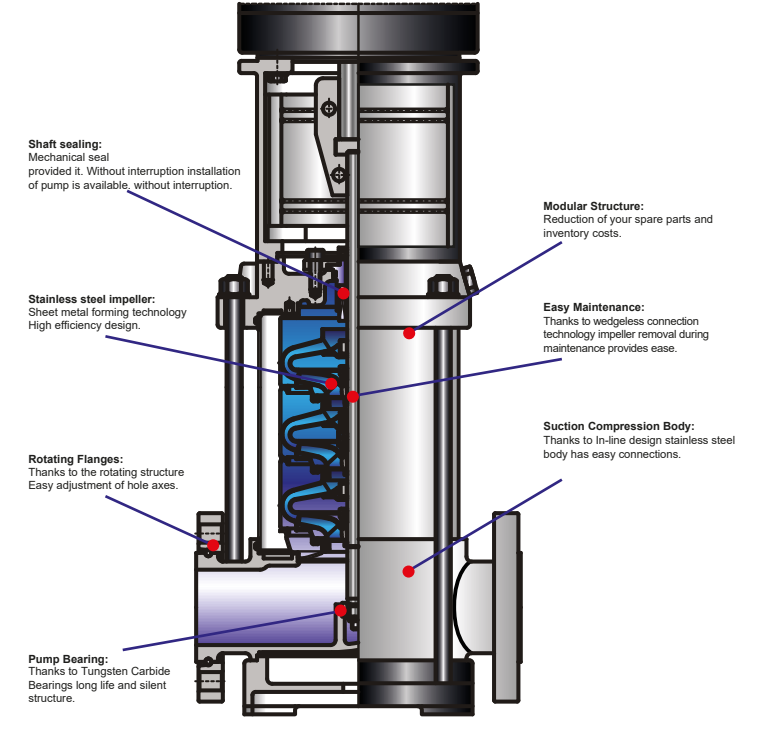
Motor Specifications

Motor with two-pole connection
Motor speed: 2900 rpm.
Protection class: IP 55
Insulation class: Nominal Power
Cooling: External cooling fan
Operation: S1

Teknik Üstünlükler



Technical Advantages



Malzeme Bilgileri

Parçanın Adı	Malzeme Yapısı	
	Standart	Opsiyonel
Taban montaj plakası	GG 25	-
Kademe gövdesi	AISI 304	-
Ara kademe	AISI 304	-
Çark	AISI 304	-
Mil	AISI 304	-
Koruma sacı	AISI 304	-
Pano	Basınç Şalteri Kontrollü	Frekans Kontrollü
Kollektör	Galvaniz Kaplı Çelik	AISI 304 Paslanmaz Çelik
Şase	Galvaniz Kaplı Sac	AISI 304 Paslanmaz Çelik
Vana	Pirinç	-
Çekvalf	Pirinç	-

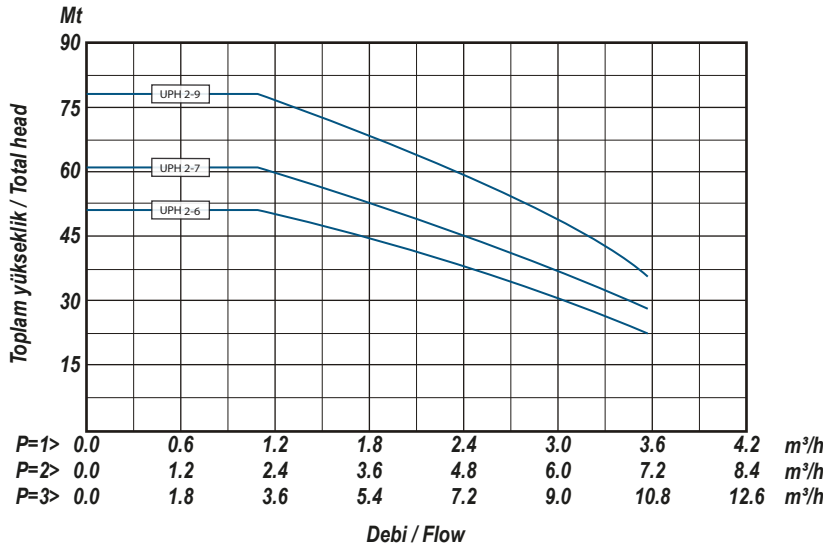
Components Information

Part Description	Part Structure	
	Standard	Optional
Base Assembly	GG 25	-
Stage Body	AISI 304	-
Interval Stage	AISI 304	-
Impeller	AISI 304	-
Shaft	AISI 304	-
External Cover	AISI 304	-
Control Box	Pressure switch	Frequency Control System
Connectors	Galvanized steel	AISI 304 Stainless Steel
Chasis	Galvanized steel	AISI 304 Stainless Steel
Valve	Brass	-
Check valve	Brass	-

Hidrolik Performans Tablosu 50 Hz/ Table of Hydraulic Performance at 50 Hz

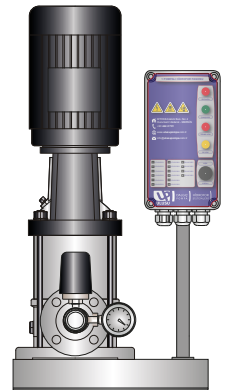
Pompa Modeli (Pump Model)	Voltaj (Voltage) 50 Hz	Çıkış Gücü (Output Power)		Q= Debi / Flow											
				(m³/h)	1,00	1,20	1,60	2,00	2,40	2,80	3,20	3,50			
				(l/sec)	0,28	0,33	0,44	0,56	0,67	0,78	0,89	0,97			
UPH 2-6	220	0,75	1,00	MSS / MPH	51	50	48	43	38	34	28	22			
UPH 2-7	220	0,75	1,00		61	59	55	50	45	39	33	26			
UPH 2-9	380	1,10	1,50		78	76	71	65	59	52	43	35			

Performans Eğrileri 50 Hz/ Performance Curves at 50 Hz



Teknik Bilgiler/ Technical Data

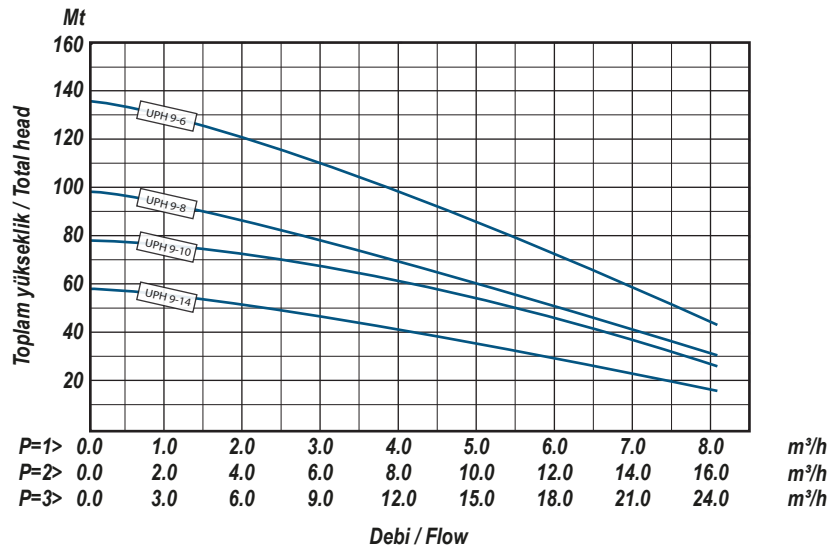
Motor Modeli (Motor Model)	Güç/ Power		H.max. (m)	Q.max. (m³/h)	Giriş Input (inch)	Çıkış Output (inch)	Ağırlık N.W (kg)	Paket Ölçüleri Package Dimension (mm)		
	kW	HP						L	W	H
	1xUPH 2-6	1x0,75						1x1,00	51	3,5
1xUPH 2-7	1x0,75	1x1,00	61	3,5	1¼"	1¼"	37,0	41	39	66
1xUPH 2-9	1x1,10	1x1,50	78	3,5	1¼"	1¼"	39,6	41	39	67
2xUPH 2-6	2x0,75	2x1,00	51	7,0	2"	2"	80,0	72	45	65
2xUPH 2-7	2x0,75	2x1,00	61	7,0	2"	2"	83,0	72	45	66
2xUPH 2-9	2x1,10	2x1,50	78	7,0	2"	2"	89,0	72	45	67
3xUPH 2-6	3x0,75	3x1,00	51	10,5	2"	2"	113,0	112	58	65
3xUPH 2-7	3x0,75	3x1,00	61	10,5	2"	2"	117,0	112	58	66
3xUPH 2-9	3x1,10	3x1,50	78	10,5	2"	2"	125,0	112	58	67



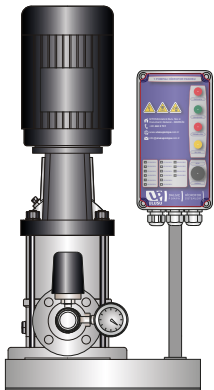
Hidrolik Performans Tablosu 50 Hz/ Table of Hydraulic Performance at 50 Hz

Pompa Modeli (Pump Model)	Voltaj (Voltage) 50 Hz	Çıkış Gücü (Output Power)		Q= Debi / Flow											
				(m³/h)	1,50	2,00	3,00	4,00	5,00	6,00	7,00	8,00			
		kW	Hp	(l/sec)	0,41	0,55	0,83	1,11	1,39	1,67	1,94	2,22			
UPH 9-6	380	1,10	1,50	MSS / MPH	56	52	50	46	39	35	26	18			
UPH 9-8	380	1,50	2,00		72	70	68	62	53	36	36	25			
UPH 9-10	380	2,20	3,00		93	87	84	77	68	45	45	31			
UPH 9-14	380	3,00	4,00		132	122	118	108	85	64	64	44			

Performans Eğrileri 50 Hz/ Performance Curves at 50 Hz



Performans Eğrileri 50 Hz/ Performance Curves at 50 Hz

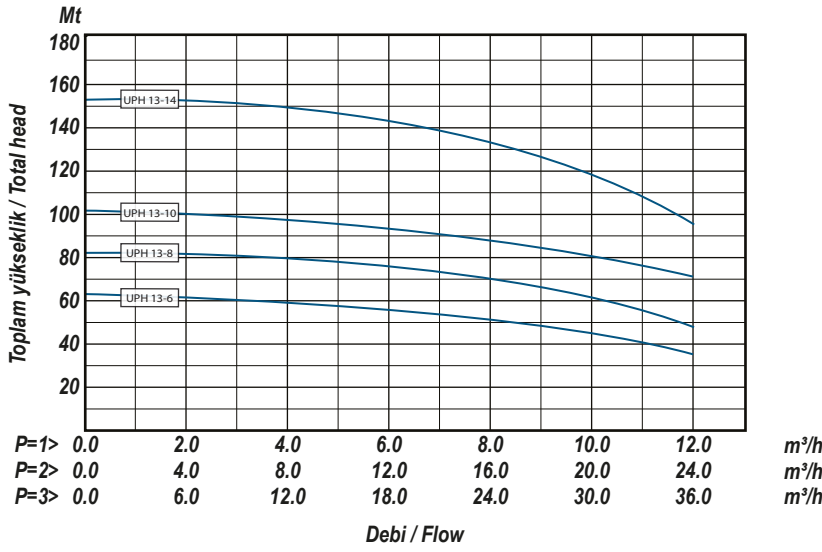


Motor Modeli (Motor Model)	Güç/ Power		H.max. (m)	Q.max. (m³/h)	Giriş Input (inch)	Çıkış Output (inch)	Ağırlık N.W (kg)	Paket Ölçüleri Package Dimension (mm)		
	kW	HP						L	W	H
1xUPH 9-6	1x1,10	1x1,50	56	8.0	1¼"	1¼"	40,1	41	39	66
1xUPH 9-8	1x1,50	1x2,00	72	8.0	1¼"	1¼"	41,0	41	39	75
1xUPH 9-10	1x2,20	1x3,00	93	8.0	1¼"	1¼"	47,4	41	39	83
1xUPH 9-14	1x3,00	1x4,00	132	8.0	1¼"	1¼"	55,6	41	39	100
2xUPH 9-6	2x1,10	2x1,50	56	16.0	2"	2"	90,2	72	45	66
2xUPH 9-8	2x1,50	2x2,00	72	16.0	2"	2"	91,0	72	45	75
2xUPH 9-10	2x2,20	2x3,00	93	16.0	2"	2"	103,0	72	45	83
2xUPH 9-14	2x3,00	2x4,00	132	16.0	2"	2"	119,0	72	45	100
3xUPH 9-6	3x1,10	3x1,50	56	24.0	2"	2"	126,0	112	58	66
3xUPH 9-8	3x1,50	3x2,00	72	24.0	2"	2"	129,0	112	58	75
3xUPH 9-10	3x2,20	3x3,00	93	24.0	2"	2"	149,0	112	58	83
3xUPH 9-14	3x3,00	3x4,00	132	24.0	2"	2"	173,0	112	58	100

Hidrolik Performans Tablosu 50 Hz/ Table of Hydraulic Performance at 50 Hz

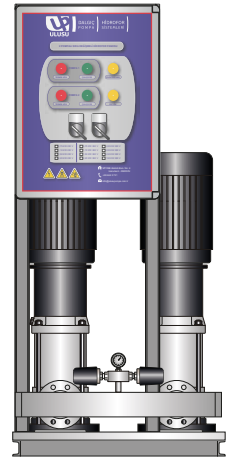
Pompa Modeli (Pump Model)	Voltaj (Voltage) 50 Hz	Çıkış Gücü (Output Power)		Q= Debi / Flow											
				(m³/h)	5,00	6,00	7,00	8,00	9,00	10,00	11,00	12,00			
				(l/sec)	1,39	1,67	1,94	2,22	2,50	2,78	3,05	3,33			
UPH 13-6	380	2,20	3,00	MSS / MPH	60	58	56	52	51	47	43	39			
UPH 13-8	380	3,00	4,00		81	78	76	70	68	63	58	52			
UPH 13-10	380	4,00	5,50		101	97	94	87	85	77	72	65			
UPH 13-14	380	5,50	7,50		142	136	132	122	119	109	101	91			

Performans Eğrileri 50 Hz/ Performance Curves at 50 Hz



Teknik Bilgiler/ Technical Data

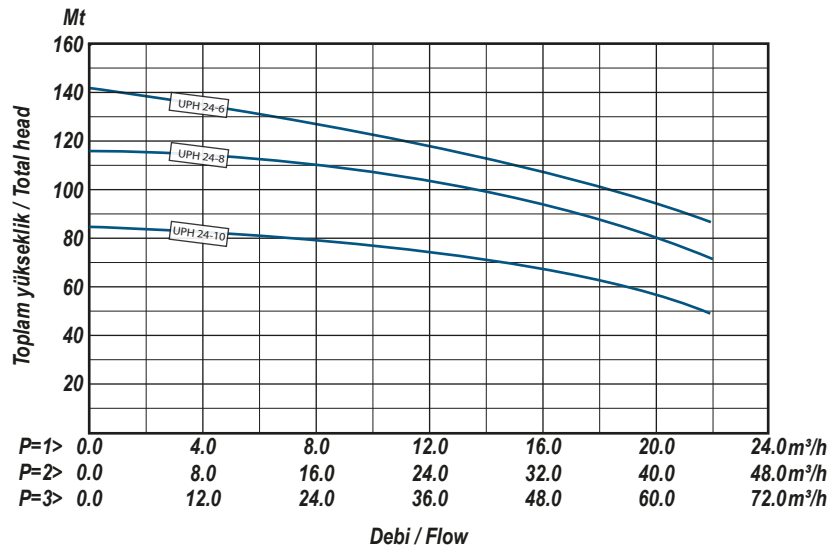
Motor Modeli (Motor Model)	Güç/ Power		H.max. (m)	Q.max. (m³/h)	Giriş Input (inch)	Çıkış Output (inch)	Ağırlık N.W (kg)	Paket Ölçüleri Package Dimension (mm)		
	kW	HP						L	W	H
	1xUPH 13-6	1x2,20						1x3,00	60	12,0
1xUPH 13-8	1x3,00	1x4,00	81	12,0	2"	2"	68,5	44	44	93
1xUPH 13-10	1x4,00	1x5,50	101	12,0	2"	2"	76,0	44	44	103
1xUPH 13-14	1x5,50	1x7,50	142	12,0	2"	2"	86,6	44	44	120
2xUPH 13-6	2x2,20	2x3,00	60	24,0	2"	2"	126,0	75	50	83
2xUPH 13-8	2x3,00	2x4,00	81	24,0	2"	2"	146,0	75	50	93
2xUPH 13-10	2x4,00	2x5,50	101	24,0	2"	2"	161,0	75	50	103
2xUPH 13-14	2x5,50	2x7,50	142	24,0	2"	2"	182,0	75	50	120
3xUPH 13-6	3x2,20	3x3,00	60	36,0	3"	3"	180,0	115	63	83
3xUPH 13-8	3x3,00	3x4,00	81	36,0	3"	3"	212,0	115	63	93
3xUPH 13-10	3x4,00	3x5,50	101	36,0	3"	3"	234,0	115	63	103
3xUPH 13-14	3x5,50	3x7,50	142	36,0	3"	3"	266,0	115	63	120



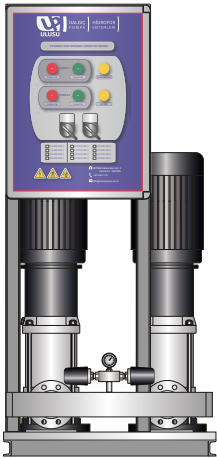
Hidrolik Performans Tablosu 50 Hz/ Table of Hydraulic Performance at 50 Hz

Pompa Modeli (Pump Model)	Voltaj (Voltage) 50 Hz	Çıkış Gücü (Output Power)		Q= Debi / Flow										
				(m³/h)	8,00	10,00	12,00	14,00	16,00	18,00	20,00	22,00		
		kW	Hp	(l/sec)	2,22	2,78	3,33	3,89	4,44	5,00	5,56	6,11		
UPH 24-6	380	5,50	7,5	MSS / MPH	83	81	78	75	69	64	58	52		
UPH 24-8	380	7,50	10,0		112	108	105	100	92	86	77	70		
UPH 24-10	380	11,0	15,0		140	136	131	125	115	108	97	87		

Performans Eğrileri 50 Hz/ Performance Curves at 50 Hz



Performans Eğrileri 50 Hz/ Performance Curves at 50 Hz

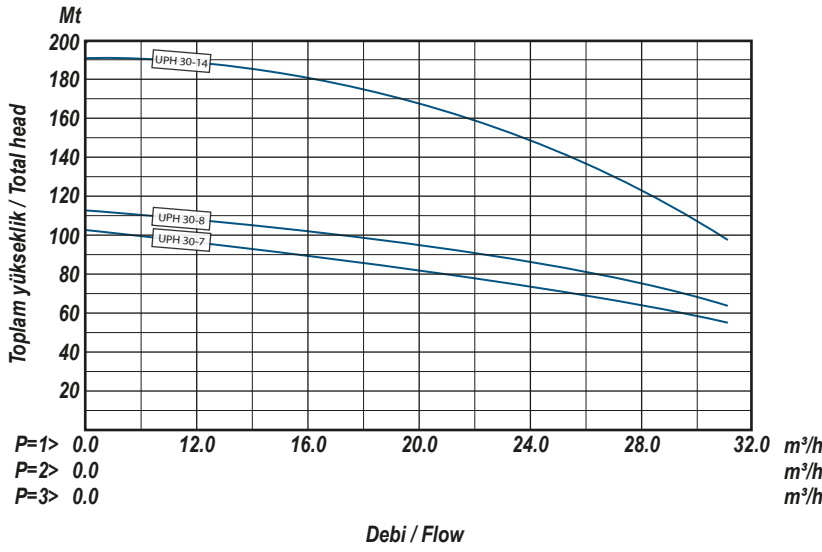


Motor Modeli (Motor Model)	Güç/ Power		H.max. (m)	Q.max. (m³/h)	Giriş Input (inch)	Çıkış Output (inch)	Ağırlık N.W (kg)	Paket Ölçüleri Package Dimension (mm)		
	kW	HP						L	W	H
	1xUPH 24-6	1x5,50						1x7,50	83	22,0
1xUPH 24-8	1x7,50	1x10,0	112	22,0	2"	2"	104,0	46	44	117
1xUPH 24-10	1x11,0	1x15,0	140	22,0	2"	2"	181,0	60	54	139
2xUPH 24-6	2x5,50	2x7,50	83	44,0	3"	3"	193,0	80	50	98
2xUPH 24-8	2x7,50	2x10,0	112	44,0	3"	3"	216,0	80	50	117
2xUPH 24-10	2x11,0	2x15,0	140	44,0	3"	3"	370,0	90	60	139
3xUPH 24-6	3x5,50	3x7,50	83	66,0	3"	3"	282,0	120	63	98
3xUPH 24-8	3x7,50	3x10,0	112	66,0	3"	3"	318,0	120	63	117
3xUPH 24-10	3x11,0	3x15,0	140	66,0	3"	3"	549,0	130	73	139

Hidrolik Performans Tablosu 50 Hz/ Table of Hydraulic Performance at 50 Hz

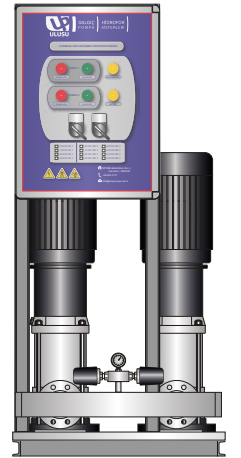
Pompa Modeli (Pump Model)	Voltaj (Voltage) 50 Hz	Çıkış Gücü (Output Power)		Q= Debi / Flow											
				(m ³ /h)	14,00	16,00	18,00	20,00	22,00	24,00	26,00	30,00			
				(l/sec)	3,89	4,44	5,00	5,56	6,11	6,67	7,22	8,33			
UPH 30-7	380	7,50	10,0	MSS / MPH	91	89	86	80	75	70	65	53			
UPH 30-8	380	11,0	15,0		105	102	99	92	86	81	75	60			
UPH 30-14	380	15,0	20,0		185	180	174	161	152	144	133	104			

Performans Eğrileri 50 Hz/ Performance Curves at 50 Hz



Teknik Bilgiler/ Technical Data

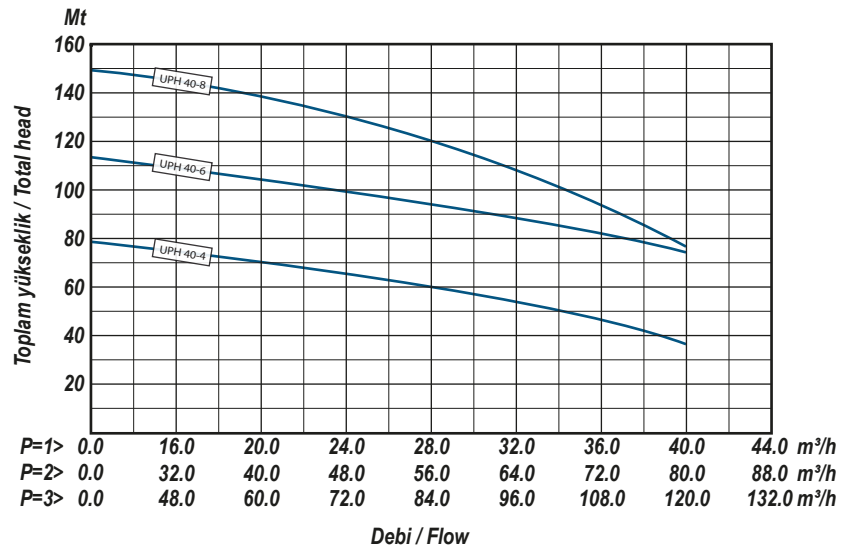
Motor Modeli (Motor Model)	Güç/ Power		H.max. (m)	Q.max. (m ³ /h)	Giriş Input (inch)	Çıkış Output (inch)	Ağırlık N.W (kg)	Paket Ölçüleri Package Dimension (mm)		
	kW	HP						L	W	H
1xUPH 30-7	1x7,50	1x10,0	91	30,0	2½"	2½"	96,5	51	52	118
1xUPH 30-8	1x11,0	1x15,0	105	30,0	2½"	2½"	175	62	58	131
1xUPH 30-14	1x15,0	1x20,0	185	30,0	2½"	2½"	196	62	58	165
2xUPH 30-7	2x7,50	2x10,0	91	60,0	3"	3"	201,0	82	58	118
2xUPH 30-8	2x11,0	2x15,0	105	60,0	3"	3"	359,0	82	64	131
2xUPH 30-14	2x15,0	2x20,0	185	60,0	3"	3"	401,0	82	64	165
3xUPH 30-7	3x7,50	3x10,0	91	90,0	4"	4"	296,0	122	71	118
3xUPH 30-8	3x11,0	3x15,0	105	90,0	4"	4"	531,0	122	77	131
3xUPH 30-14	3x15,0	3x20,0	185	90,0	4"	4"	594,0	122	77	165



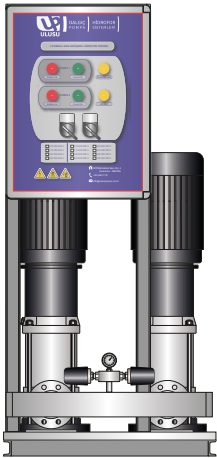
Hidrolik Performans Tablosu 50 Hz/ Table of Hydraulic Performance at 50 Hz

Pompa Modeli (Pump Model)	Voltaj (Voltage) 50 Hz	Çıkış Gücü (Output Power)		Q= Debi / Flow											
				(m³/h)	16,00	20,00	24,00	28,00	32,00	36,00	40,00				
				(l/sec)	4,44	5,56	6,67	7,78	8,89	10,00	11,11				
UPH 40-4	380	7,50	10,0	MSS / MPH	72	68	65	59	53	47	37				
UPH 40-6	380	11,0	15,0		108	102	99	92	86	81	75				
UPH 40-8	380	15,0	20,0		144	137	129	120	109	97	76				

Performans Eğrileri 50 Hz/ Performance Curves at 50 Hz

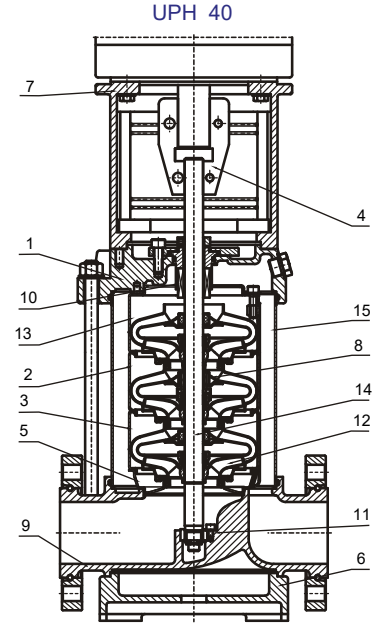
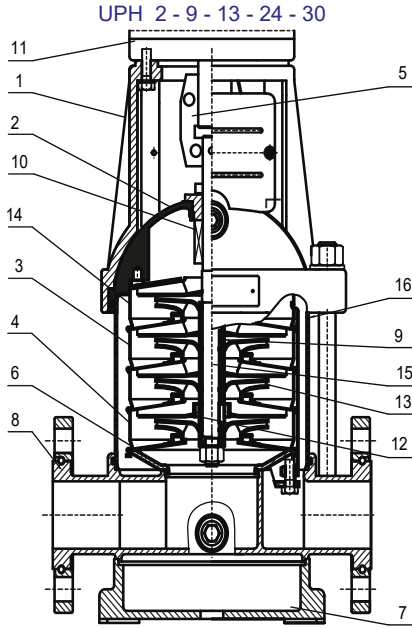


Performans Eğrileri 50 Hz/ Performance Curves at 50 Hz



Motor Modeli (Motor Model)	Güç/ Power		H.max. (m)	Q.max. (m³/h)	Giriş Input (inch)	Çıkış Output (inch)	Ağırlık N.W (kg)	Paket Ölçüleri Package Dimension (mm)		
	kW	HP						L	W	H
1xUPH 40-6	1x11,0	1x15,0	108	40,0	2½"	2½"	150,0	62	55	150
1xUPH 40-8	1x15,0	1x20,0	144	40,0	2½"	2½"	165,0	62	55	165
2xUPH 40-4	2x7,50	2x10,0	72	80,0	3"	3"	253,0	86	56	122
2xUPH 40-6	2x11,0	2x15,0	108	80,0	3"	3"	424,0	88	61	150
2xUPH 40-8	2x15,0	2x20,0	144	80,0	3"	3"	468,0	88	61	165
3xUPH 40-4	3x7,50	3x10,0	72	120,0	4"	4"	372,0	126	69	122
3xUPH 40-6	3x11,0	3x15,0	108	120,0	4"	4"	629,0	128	74	150
3xUPH 40-8	3x15,0	3x20,0	144	120,0	4"	4"	696,0	128	74	165

Pompa Kesiti ve Parça Listesi/ Pump Section and List of Main Components



UPH 2-9-13-24-30 Serileri

No	Açıklama	Malzeme Yapısı
1	Üst Gövde	Pik Döküm (GG 25)
2	Gövde Kapağı	Paslanmaz Çelik (AISI 304)
3	Difüzör	Paslanmaz Çelik (AISI 304)
4	Alt Difüzör	Paslanmaz Çelik (AISI 304)
5	Kaplin	Karbon Çelik
6	Ön Çark	Paslanmaz Çelik (AISI 304)
7	Pompa Ayağı	Pik Döküm (GG 25)
8	Emme ve Basma Gövdesi	Paslanmaz Çelik (AISI 304)
9	Çark Burcu	Paslanmaz Çelik (AISI 304)
10	Mekanik Salmatra	-
11	Elektrik Motoru	-
12	Kaymalı Yatak	Tungsten Carbide
13	Çark	Paslanmaz Çelik (AISI 304)
14	Üst Difüzör	Paslanmaz Çelik (AISI 304)
15	Pompa Mili	Paslanmaz Çelik (AISI 304)
16	Koruma Sacı	Paslanmaz Çelik (AISI 304)

UPH 2-9-13-24-30 Series

No	Description	Components
1	Upper Body	Cast Iron (GG25)
2	Cover of Body	Stainless Steel AISI 304
3	Diffuser	Stainless Steel AISI 304
4	Bottom diffuser	Stainless Steel AISI 304
5	Coupling	Carbon Steel
6	Front impeller	Stainless Steel AISI 304
7	Pump base	Cast Iron (GG25)
8	Suction and Discharge Body	Stainless Steel AISI 304
9	Impeller Bushing	Stainless Steel AISI 304
10	Mechanic seal	-
11	Electric motor	-
12	Axial base	Tungsten Carbide
13	Impeller	Stainless Steel AISI 304
14	Upper Diffuser	Stainless Steel AISI 304
15	Pump shaft	Stainless Steel AISI 304
16	External Cover	Stainless Steel AISI 304

UPH 40 Serisi

No	Açıklama	Malzeme Yapısı
1	Üst Gövde	Paslanmaz Çelik (AISI 304)
2	Difüzör	Paslanmaz Çelik (AISI 304)
3	Altı Difüzör	Paslanmaz Çelik (AISI 304)
4	Kaplin	Karbon Çelik
5	Ön Çark	Paslanmaz Çelik (AISI 304)
6	Pompa Ayağı	Pik Döküm (GG 25)
7	Motor Taşıyıcı	Pik Döküm (GG 25)
8	Ara Yatak	Tungsten Carbide
9	Emme ve Basma Gövdesi	Paslanmaz Çelik (AISI 304)
10	Mekanik Salmatra	-
11	Alt Yatak	Tungsten Carbide
12	Çark	Paslanmaz Çelik (AISI 304)
13	Üst Difüzör	Paslanmaz Çelik (AISI 304)
14	Pompa Mili	Paslanmaz Çelik (AISI 304)
15	Koruma Sacı	Paslanmaz Çelik (AISI 304)

UPH 40 Series

No	Description	Components
1	Upper Body	Stainless Steel AISI 304
2	Diffuser	Stainless Steel AISI 304
3	Bottom diffuser	Stainless Steel AISI 304
4	Coupling	Carbon Steel
5	Front impeller	Stainless Steel AISI 304
6	Pump base	Cast Iron (GG25)
7	Motor Cover	Cast Iron (GG25)
8	Interval part	Tungsten Carbide
9	Suction and Discharge Body	Stainless Steel AISI 304
10	Mechanic seal	-
11	Axial base	Tungsten Carbide
12	Impeller	Stainless Steel AISI 304
13	Upper Diffuser	Stainless Steel AISI 304
14	Pump shaft	Stainless Steel AISI 304
15	External Cover	Stainless Steel AISI 304



www.ulusupompa.com.tr

MTOSB Atatürk Bulv. No:4 Huzurkent Mersin
✉ info@ulusupompa.com.tr

☎ **0090 444 2 731**